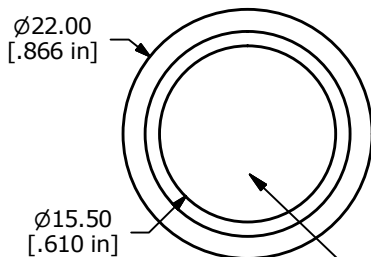
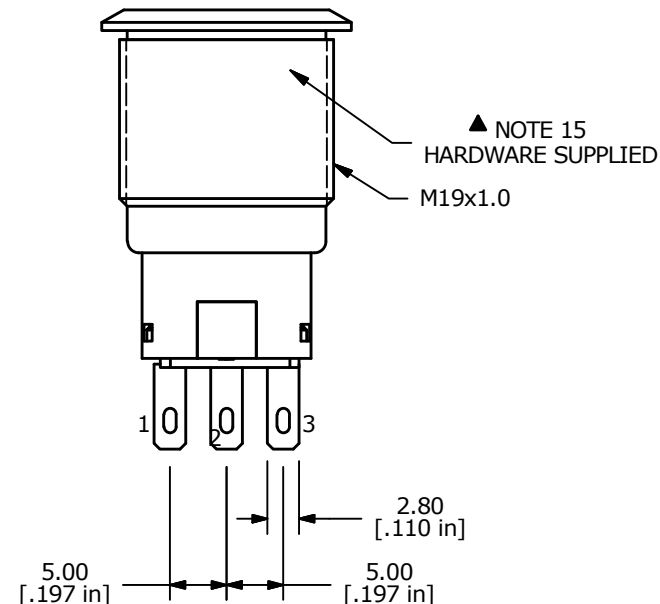
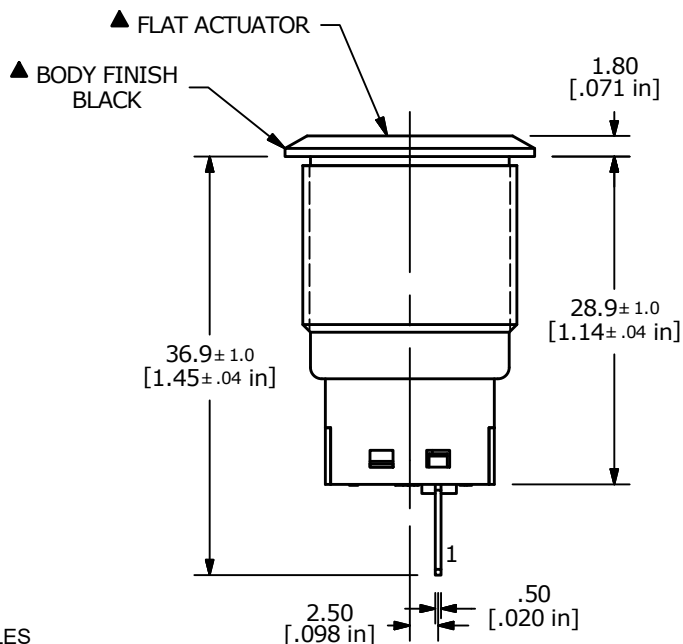
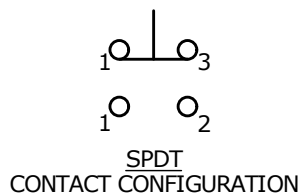


SWITCH FUNCTION	
POS. 1	POS. 2
ON	(ON)
1-3	1-2

(ON) = MOMENTARY



▲ ACTUATOR FINISH BLACK



- NOTE:
1. ALL DIMENSIONS IN MM [INCH]
  2. GENERAL TOLERANCE: X.X±0.4  
X.XX±0.25
  3. TERMINAL NUMBERS FOR REF ONLY
  - ▲ 4. CONTACT MATERIAL: SILVER
  5. RATING: 2A 24VDC
  6. ELECTRIC LIFE: 50,000 MAKE-AND-BREAK CYCLES AT FULL LOAD.
  7. INSULATION RESISTANCE: 1,000 MΩ MIN.
  8. DIELECTRIC STRENGTH: 2,000 VAC MIN. FOR 1 MINUTE
  9. CONTACT RESISTANCE: 50mΩ MAX. @ 1A 12VDC
  10. OPERATING TEMP.: -20°C to 55°C
  - ▲ 11. TRAVEL: 2.8mm
  12. ▲ DENOTES CRITICAL PARAMETER.
  - ▲ 13. INGRESS PROTECTION: IP67
  - ▲ 14. HARDWARE SUPPLIED: O-RING AND HEXNUT



C	23605	UPDATED RATING TO 2A @ 24VDC	10/11/18	MJR
B	21027	REMOVE LAMP TERMINALS	2/13/13	EBP
REV	PCR NO	DESCRIPTION	DATE	BY

TITLE PV4F2B011				
SCALE 3:2	DATE 2/6/2012	DR BGL	DWG 52-PV4F2B011	REV C

THE INFORMATION CONTAINED IN THIS DOCUMENT IS PROPRIETARY TO E-SWITCH AND IS NOT TO BE COPIED OR TRANSFERRED